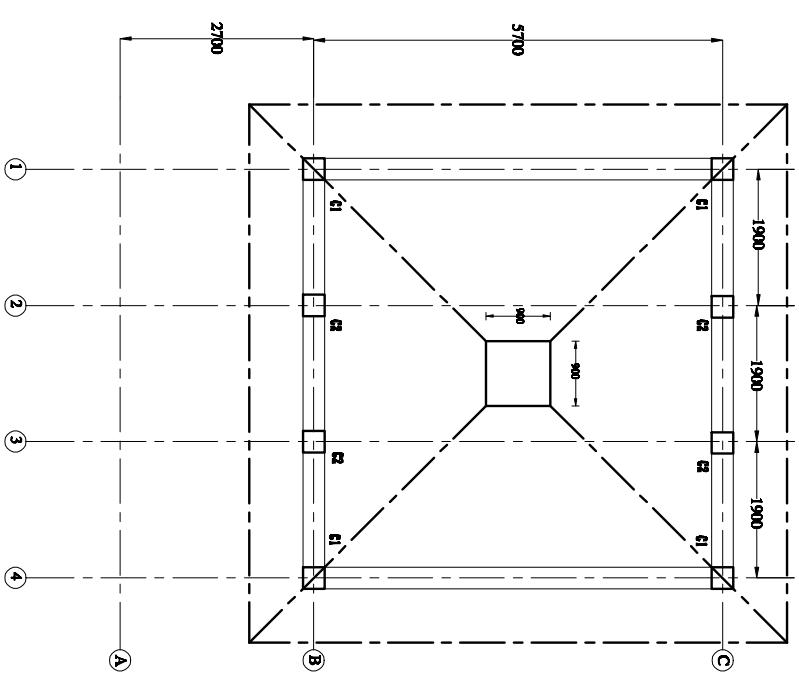
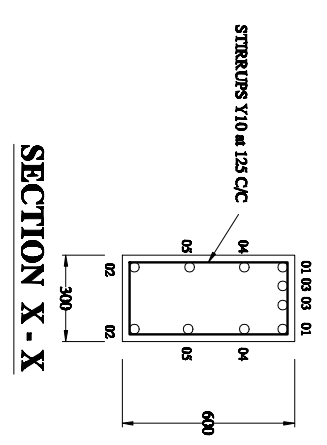


ROOF BEAM - GRID 1,4

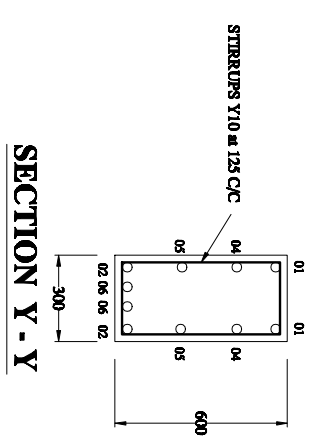
ROOF BEAM - GRID B,C



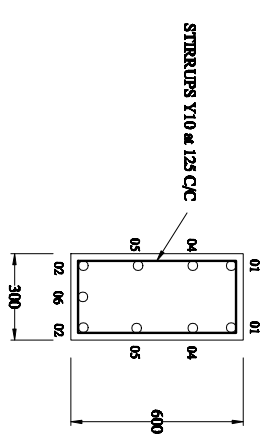
DETAIL OF ROOF SLAB & BEAM



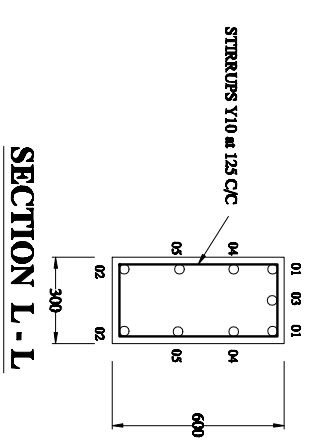
SECTION X - X



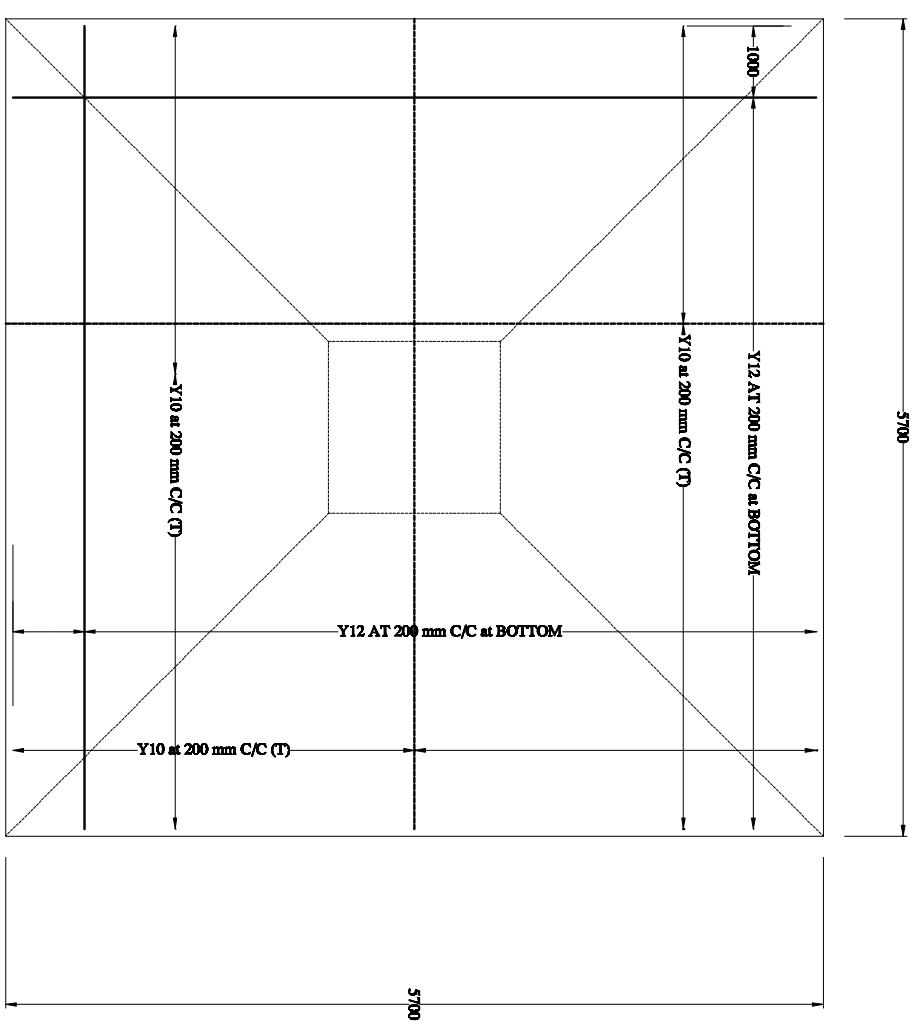
SECTION Y - Y



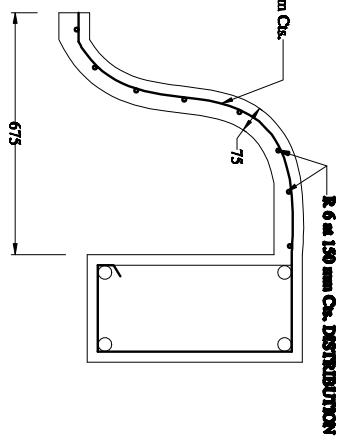
SECTION M - M



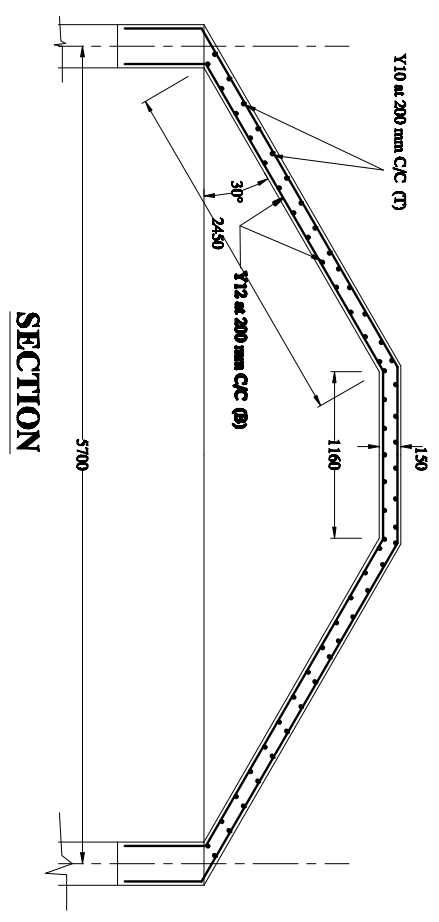
SECTION L - L



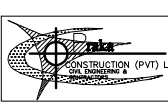
ROOF SLAB PLAN



CONOPY R/F DETAIL



SECTION

DROWN	K.PRETHEBAN	DRAWING TITLE DETAIL OF ROOF BEAM & SLAB REINFORCEMENT	DATE	12 / 12 / 2008	PREPARED FOR : CHARIOT ROOM PIRAPPAN KULAM MAHAMARI AMMAN KOVIL ARIYALAI - JAFFNA	 Praka CONSTRUCTION (PVT) LTD. CIVIL ENGINEERING & CONTRACTORS
	CHECKED		Eng.S.KAMALANATHAN	SCALE		
			DRAWING NO			